

INSTALLATION MANUAL

IEC & UL version

The Honey/Allmax Module	<u>TSM-PC05A</u> <u>TSM-PC05A.05</u> <u>TSM-PC05A.08</u> <u>TSM-PD05</u> <u>TSM-PD05.05</u> <u>TSM-PD05.08</u> <u>TSM-PE05A</u> <u>TSM-PE05A.08</u>
The Honey Plus Module	<u>TSM-PC05A(II)</u> <u>TSM-PC05A.08(II)</u>
The Tallmax Module	<u>TSM-PC14</u> <u>TSM-PD14</u> <u>TSM-PE14A</u>
The Honey M Module	<u>TSM-DC05A</u> <u>TSM-DC05A.05</u> <u>TSM-DC05A.08</u>
The Honey/Allmax M Plus Module	<u>TSM-DC05A(II)</u> <u>TSM-DC05A.05(II)</u> <u>TSM-DC05A.08(II)</u> <u>TSM-DD05A(II)</u> <u>TSM-DD05A.05(II)</u> <u>TSM-DD05A.08(II)</u> <u>TSM-DE05A(II)</u>
The Tallmax M Plus Module	<u>TSM-DD14A(II)</u> <u>TSM-DE14A(II)</u>
The Trinasmart Module	<u>TSM-PD05.052</u> <u>TSM-PD05.082</u> <u>TSM-PD14.002</u> <u>TSM-DD05A.052(II)</u> <u>TSM-DD05A.082(II)</u>
The Trinaswitch Module	<u>TSM-PD05.08S</u> <u>TSM-DD05A.08S(II)</u> <u>TSM-DD05A.05S(II)</u>
The Trinapeak Module	<u>TSM-PD05.08D</u>
The Splitmax Modue	<u>TSM-DC06.08(II)</u>
The Quadmax Module	<u>TSM-DC80.08</u>
The Airmax Module	<u>TSM-PC05B</u>
The Spacemax Module	<u>TSM-DC03A.08(II)</u>

Table of Contents

1. DISCLAIMER OF LIABILITY	- 3 -
2. SAFETY PRECAUTIONS	- 3 -
3. UNPACKING AND STORAGE	- 5 -
4. PRODUCT IDENTIFICATION	- 6 -
5. ENVIRONMENTAL CONSIDERATIONS AND SITE SELECTION	- 6 -
5.1 CLIMATE CONDITIONS	- 6 -
5.2 SITE SELECTION	- 6 -
6. MOUNTING INSTRUCTIONS	- 7 -
6.1 MOUNTING METHODS	- 7 -
A. Mounting with Bolts	- 7 -
B. Mounting with Clamps	- 8 -
C. Mounting with Single-axis Tracking System.....	- 10 -
6.2 GROUNDING	- 11 -
6.3 MODULE WIRING.....	- 13 -
7. ELECTRICAL CONFIGURATION.....	- 14 -
7.1 FUSING.....	- 14 -
7.2 INVERTER SELECTION AND COMPATIBILITY	- 14 -
8. MAINTENANCE AND CARE	- 15 -
9. WARNING	- 16 -



1. DISCLAIMER OF LIABILITY

- The installation, handling and use of Trina Solar crystalline modules are beyond company control. Trina Solar does not assume any responsibility for loss, damage, injury or expense resulting from the improper installation, handling, use or maintenance.
- Trina Solar assumes no responsibility for any infringement of patents or other rights of third parties that may result from use of the module. No license is granted by implication or under any patent or patent rights.
- Specifications included in this manual are subject to change without prior notice.

2. SAFETY PRECAUTIONS

- Potentially lethal DC voltages can be generated whenever PV Modules are exposed to a light source, therefore, avoid contact with electrically active parts and be sure to isolate live circuits before attempting to make or break any connections.
- Only authorized and trained personnel should have access or perform work on the modules or solar system, always wearing rubber gloves and boots with maximum working voltage not lower than 1000V DC (For TSM-PE05A.**, PE14A.**, not lower than 1500V DC).
- When working on electrical connections, remove all metallic jewelry, use properly insulated tools and wear appropriate personal protective equipment to reduce the risk of electric shock.
- Do NOT stand or step on, damage or scratch the front or backside surfaces of the module.
- Broken modules cannot be repaired and contact with any module surface or frame can lead to electrical shock. Do NOT use a module with broken glass or torn substrate.
- Do NOT disassemble the modules or remove any part of the module.
- Protect the electrical plug contacts against corrosion and soiling. Make sure that all connectors are corrosion free and clean before making the connection.
- Do NOT install or handle modules when they are wet or during periods of high wind.
- Ensure that all connections are securely made with no gap between the contacts. Any gap can result in electrical arcing that can cause a fire hazard and/or an electric shock.
- Make sure that the polarity of each module or a string is not reversed considering the rest of the modules or strings.
- Do NOT artificially concentrate sunlight on these solar modules.
- Trina Solar modules are certified for operating in Application Class A installations at voltages below 1000V DC (For TSM-PE05A.**, PE14A.**, below 1500V DC). This maximum voltage should not be exceeded at any time and, as the voltage of the module increases, above data sheet values, at operating temperatures below 25°C, then these need to be taken into account when designing a PV system.
- Maximum system voltage must not exceed 1000V DC when UL 1000V products (TSM-****D*. **) are used.
- Maximum system voltage must not exceed 1500V DC when UL 1500V products (TSM-****E*. **) are used.
- Do NOT use water to extinguish fires of an electrical origin.
- Do NOT walk on the modules.
- Do NOT disconnect the modules under load to avoid arcs and electrical shocks. If needed cover the module surface with an opaque cover.
- For modules under IEC investigation, under normal conditions, a solar photovoltaic module is likely to experience conditions that produce more current and/or voltage than reported at standard test conditions. Accordingly, the values of Isc and Voc marked on this module should be multiplied by a factor of 1.25 when determining component voltage ratings, conductor current ratings, fuse sizes and size of controls connected to the PV output.
- For modules under UL investigation, most of the time, the solar module is likely to produce more power, or current, than that rated at standard test conditions. Accordingly, the value of ISC marked on this module should be multiplied by a factor of 1.25 when determining the conductor current ratings, fuse sizes and size of controls connected to the PV output. Refer to Section 690.8 of the National Electric Code to check when an additional multiplying factor of 1.25 may be applicable.
- Installation in Canada shall be in accordance with CSA C22.1, Safety Standard for Electrical Installations, and Canadian Electrical Code Part 1. The System Fire Class Rating of the module or panel in a mounting system in combination with a roof covering complete with requirements to achieve the specified System Fire Class Rating for a non-BIPV module or panel.
- Any module or panel mounting system has limitations on specific inclination required to maintain a specific System Fire Class Rating.

- Where common grounding hardware (nuts, bolts, star washers, split-ring lock washers, flat washers and the like) is used to attach a listed grounding/bonding device, the attachment must be made in conformance with the grounding device manufacturer's instructions.
- Common hardware items such as nuts, bolts, star washers, lock washers and the like have not been evaluated for electrical conductivity or for use as grounding devices and should be used only for maintaining mechanical connections and holding electrical grounding devices in the proper position for electrical conductivity. Such devices, where supplied with the module and evaluated through the requirements in UL1703, may be used for grounding connections in accordance with the instructions provided with the module.
- Rated electrical characteristics are within ± 10 percent of measured values at Standard Test Conditions of 1000 W/m², 25°C cell temperature and AM 1.5 solar spectral irradiance.
- The fire rating of a Trina Solar PV module is valid only when mounted in the manner specified in the mechanical mounting instructions of this installation manual.
- The module is considered to be in compliance with UL1703 only when the module is mounted in the manner specified by the mounting instructions below.
- A module with exposed conductive parts is considered to be in compliance with UL1703 only when it is electrically grounded in accordance with the instructions presented below and the requirements of the National Electrical Code for UL listed products only.
- Any module without a frame (laminated) shall not be considered in compliance with the requirements of UL1703 unless the module is mounted with hardware that has been tested and evaluated with the module under this standard or via a field inspection certifying that the installed module complies with the requirements of UL1703.
- Modules equipped with PV wiring connectors that comply with the Standard for Connectors for Use in Photovoltaic Systems, UL 6703, shall have the specific allowable mating connector manufacturer(s) and model number(s) listed, as well as contact information and/or website of the PV connector manufacturer. If a specific module product is available with multiple PV wiring connectors from various manufacturers, then the following shall be included: 1) Means to identify each distinct PV connector manufacturer's product - such as a picture or illustration, unique physical features, markings, company logos, etc, and 2) Allowable mating connector manufacturer and model number(s) listed for each distinct cable connector manufacturer's product(s), as well as contact information and/or website of the PV connector manufacturer. The Type 1 and/or Type 2 modules with the specified constructions in the table below, when installed with a UL listed mounting system that has been rated as a Class A System, is suitable to maintain the System Class A Fire Rating.

Module model	Specific construction	Marking
TSM-xxxPD05 TSM-xxxPD05.05 TSM-xxxPD05.08	Please check the related UL description files when checking the fire protection rank of the BOM concerned	Module Fire Performance: Type 1/ Type 2
TSM-xxxPE05A TSM-xxxPE05A.08	Please check the related UL description files when checking the fire protection rank of the BOM concerned	Module Fire Performance: Type 1/ Type 2
TSM-xxxDD05A(II) TSM-xxxDD05A.05(II) TSM-xxxDD05A.08(II)	Please check the related UL description files when checking the fire protection rank of the BOM concerned	Module Fire Performance: Type 1/ Type 2
TSM-xxxPD05.08D	Please check the related UL description files when checking the fire protection rank of the BOM concerned	Module Fire Performance: Type 1/ Type 2

- The Type 1 and/or Type 2 modules with the specified constructions in the table below, when installed with a UL listed mounting system that has been rated as a Class A System, is suitable to maintain the System Class A Fire Rating.

Module model	Specific construction	Marking
TSM-xxxPD14	Please check the related UL description files when checking the fire protection rank of the BOM concerned	Module Fire Performance: Type 1/ Type 2
TSM-xxxPE14A	Please check the related UL description files when checking the fire protection rank of the BOM concerned	Module Fire Performance: Type 1/ Type 2

	concerned	
TSM-xxxDD14A(II)	Please check the related UL description files when checking the fire protection rank of the BOM concerned	Module Fire Performance: Type 1/ Type 2

- For cUL listed products only: Fire class rating: C
- The fire rating of the module is valid only when mounted in the manner specified in the mechanical mounting instructions.
- The module is considered to be in compliance with UL1703 only when the module is mounted in the manner specified by the mounting instructions.
- A module with exposed conductive parts is considered to be in compliance with UL1703 only when it is electrically grounded in accordance with the instructions and the requirements of the National Electrical Code.
- Any module without a frame (laminate) shall not be considered to comply with the requirements of UL1703 unless the module is mounted with hardware that has been tested and evaluated with the module under this standard or by a field Inspection certifying that the installed module complies with the requirements of UL1703.
- Modules equipped with PV wiring connectors that comply with the Standard for Connectors for Use in Photovoltaic Systems, UL 6703, shall have the specific allowable mating connector manufacturer(s) and model number(s) listed as below:

<i>Female type</i>	<i>Allowable male type to mate</i>	<i>Connector manufacturer</i>	<i>Contact information and/or website of the PV connector manufacturer</i>	<i>Trade mark identification</i>	<i>Rated Voltage</i>
<i>PVMC4PLS-XX</i>	<i>PVMC4PLS-XX</i>	<i>Staubli Electrical Connectors AG</i>	<i>http://ec.staubli.com/</i>	<i>MC</i>	<i>1000V or 1500V</i>
<i>PV-KBT4</i>	<i>PV-KST4</i>	<i>Staubli Electrical Connectors AG</i>	<i>http://ec.staubli.com/</i>	<i>MC</i>	<i>1000V</i>
<i>PV-KBT4-EVO2</i>	<i>PV-KST4-EVO2</i>	<i>Staubli Electrical Connectors AG</i>	<i>http://ec.staubli.com/</i>	<i>MC</i>	<i>1000V or 1500V</i>
<i>QC4.10-ab</i>	<i>QC4.10-ab</i>	<i>QC Solar (Suzhou) Corp</i>	<i>http://www.quick-contact.com/</i>	<i>QC</i>	<i>1000V</i>
<i>QC4.10-cd</i>	<i>QC4.10-cd</i>	<i>QC Solar (Suzhou) Corp</i>	<i>http://www.quick-contact.com/</i>	<i>QC</i>	<i>1000V or 1500V</i>
<i>Helios H4 Assembled</i>	<i>Helios H4 Assembled</i>	<i>Amphenol Industrial Operations</i>	<i>http://www.amphenol-industrial.com</i>	<i>AMPHENOL</i>	<i>1000V</i>
<i>UTXCFd4Ag ("d"=A or B; "g"=I, C or M)</i>	<i>UTXCMd4Ag ("d"=A or B; "g"=I, C or M)</i>	<i>Amphenol Technology (Shenzhen) Co Ltd</i>	<i>http://www.amphenol-industrial.com</i>	<i>UTX</i>	<i>1000V or 1500V</i>
<i>TS4</i>	<i>TS4</i>	<i>Changzhou Trina Solar Energy Co., Ltd</i>	<i>www.trinasolar.com</i>	<i>TS4</i>	<i>1000V or 1500V</i>

3. UNPACKING AND STORAGE

- At time of receipt, verify that the product delivered is in fact the product ordered. The product name, subname, and serial number of each laminate are clearly marked on the outside of each packing box.
- Leave the product in its original packing box until you are ready to install.
- Store packing boxes in a clean, dry area with relative humidity below 85% and storage temperatures between -20°C and 50°C.
- Do NOT stack more than the maximum amount of allowable pallets on top of each other.
- At the installation site, take care to keep modules and particularly their electrical contacts clean and dry before installation. If connector cables are left in damp conditions then the contacts may corrode. Any module with corroded contacts should not be used.

- If pallets are stored temporarily outside then place a protective covering over the pallet to protect it from direct weathering and do not stack more than 1 pallet high.
- Two people are required to unpack the modules from the packing box, when handling modules always use both hands.
- Protect the module edges for temporary storage outside the pallet.
- Do NOT use a knife to cut the zip-ties, but use wire cutting pliers.
- Do NOT place modules directly on top of each other.

4. PRODUCT IDENTIFICATION

Each individual module has a unique serial number laminated behind the glass and another permanently attached to the back-sheet of the module on the product sticker. Note all serial numbers in an installation for your future records.

5. ENVIRONMENTAL CONSIDERATIONS AND SITE SELECTION

5.1 CLIMATE CONDITIONS

Trina Solar Crystalline series modules may be installed in the following conditions for more than 25 years. In addition to the required IEC certification, Trina Solar products have also been tested to verify resistance to ammonia fumes that may be present around barns sheltering cattle, as well as suitability for installation in humid (coastal) areas and areas of high sand storms.

Environment

- Operating temperature: -40°C to +85°C
- Storage temperature: -20°C to +50°C
- Humidity: below 85RH%
- Mechanical Load Pressure*: 5400Pa Max from the front side (snow) and 2400Pa from the rear (wind).
(Except Installation Method C: Mounting with Single-axis Tracking System - 2400Pa (snow) and 2400Pa (wind) max under UL1703 standard)

*NOTE:

- When the project environment meet above temperature, but over 85RH%. Please contact local technical support and provide project climate information.
- The modules have been evaluated by TUV according to IEC61215 for a maximum positive or negative design loading of below 5400Pa, by UL according to UL 1703, below 30lbs.ft².
- The mechanical load bearing is dependent upon the mounting methods used and failure to follow the instructions of this manual may result in different capabilities to withstand snow and wind loads.
- The system installer must ensure that the installation methods used meet these requirements and any local codes and regulations.

5.2 SITE SELECTION

- Trina Solar Modules can be mounted in landscape or portrait orientation however the impact of dirt shading the solar cells can be minimized by orienting the product in landscape.
- Solar module is recommended to be installed at an optimized tilt angle to maximize the energy output. It is roughly equal to the latitude of the project site as a rule of thumb, facing to equator. But always to design based on local situations to find out the optimum one.
- When installing solar modules on a roof always leave a safe working area between the edge of the roof and the external edge of the solar array.
- In case of residential installations on the ground, modules shall be installed following local regulations, e.g. using fence.
- Position the modules to minimize the chances of shading at any time of the day.
- Do not install PV modules in a location where they will be immersed in water or continually exposed to water from a sprinkler or fountain, etc.
- Avoid using a mounting method that will block the drainage holes in the module frame.
- When all solar modules (except for smart module) are mounted in the same plane and orientation then all can be expected to have similar performance throughout the day and can be connected together to the

same inverter channel.

- If solar modules (except for smart module) on the same installation are mounted at different angles or orientations then energy production can normally be optimized by connecting the different orientations to different inverters (or different MPPT if the inverter has more than one MPPT). Refer to inverter manufacturers for further guidelines.
- According to Intertek-conducted IEC 61701:2011, salt mist corrosion testing of photovoltaic (PV), Trina Solar modules can be safely installed in corrosive salt areas within proximity of the ocean or sulfurous areas.
- According to IEC62716:2013 “Ammonia corrosion testing of photovoltaic (PV) modules” and DLG Fokus testing for ammonia resistance, Trina Solar modules can be safely installed in ammonia-heavy environments, such as farm houses.

6. MOUNTING INSTRUCTIONS

6.1 MOUNTING METHODS

PV modules can be mounted to the substructure using either corrosion-proof M8 bolts placed through the mounting holes on the rear of the module or specially designed module clamps.

Regardless of the fixing method the final installation of the modules must ensure that:

- A clearance of at least 115mm(4.5in) (recommended) is provided between modules frame and the surface of the wall or roof. If other mounting means are employed this may affect the UL Listing or the fire class ratings.
- The minimum distance between two modules is 10mm(0.4in).
- The mounting method does not block the module drainage holes.
- Panels are not subjected to wind or snow loads exceeding the maximum permissible loads, and are not subject to excessive forces due to the thermal expansion of the support structures.

***NOTE: The drain holes cannot be blocked in any situation during installation or use.**

A. Mounting with Bolts

- The frame of each module has 4- $\phi 9 \times 14$ mm mounting holes, ideally placed to optimize the load handling capability, to secure the modules to supporting structure.
- To maximize mounting longevity, Trina Solar strongly recommends the use of corrosion proof (stainless steel) fixings
- Secure the module in each fixing location with an M8 bolt and a flat washer, spring washer and nut as shown in Figure 1 and tighten to a torque of 16~20 N.m(140-180lbf.in.).
- All parts in contact with the frame should use flat stainless steel washers of minimum 1.8mm thickness with an outer diameter of 20-24mm(0.79-0.94in).

Dimension of DC06.08 (II)

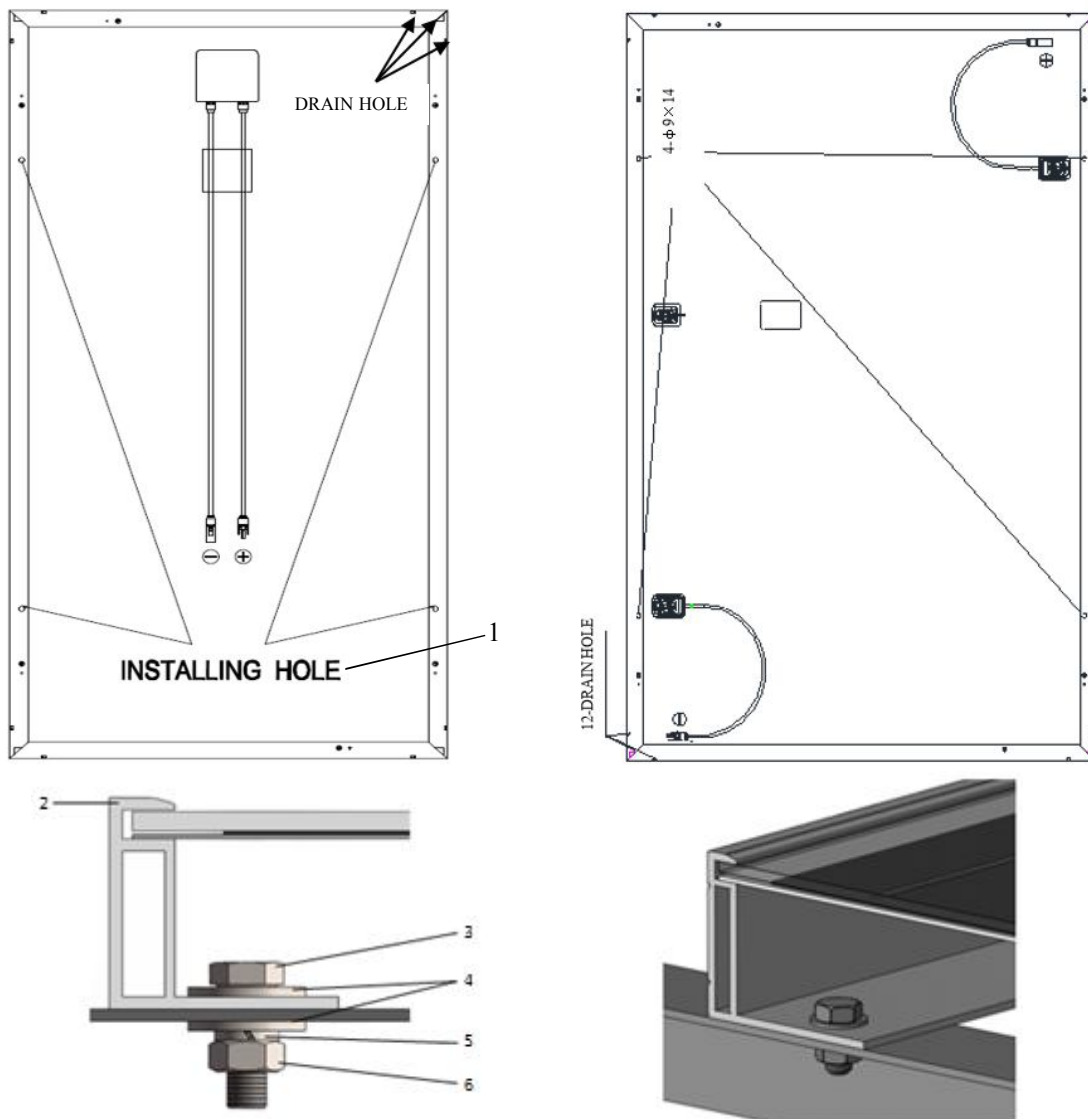


Figure 1. PV module installed with Bolt fitting method

- 1) Installing Hole ($\Phi 9 \times 12$ will be replaced step by step by $\Phi 9 \times 14$ from Aug 2017 to Q2 2018)
- 2) Aluminum Frame 3) M8 Stainless Bolt
- 4) Flat Stainless Washer 5) Spring Stainless Washer
- 6) HEX Stainless Nut

B. Mounting with Clamps

- Trina Solar has tested its modules with a number of clamps from different manufacturers and recommends the use of clamps which have an EPDM or similar insulating washer, fixing bolt of at least M6.
- The clamp must overlap the module frame by at least 7mm (0.28in) but no more than 10mm (0.39in).
- Use at minimum 4 clamps to fix modules on the mounting rails.

- Modules clamps should not come into contact with the front glass and must not deform the frame.
- Be sure to avoid shadowing effects from the module clamps.
- The module frame is not to be modified under any circumstances.
- When choosing this type of clamp-mounting method, use at least four clamps on each module, two clamps should be attached on each long sides of the module (for portrait orientation) or each short sides of the module (for landscape orientation). Depending on local wind and snow loads, additional clamps may be required to ensure that modules can bear the load.
- Applied torque should refer to mechanical design standard according to the bolt customer is using, ex:
 - M6 ---- 9 N.m (70lbf.in)
 - M8 ---- 16-20N.m(140-180lbf.in)

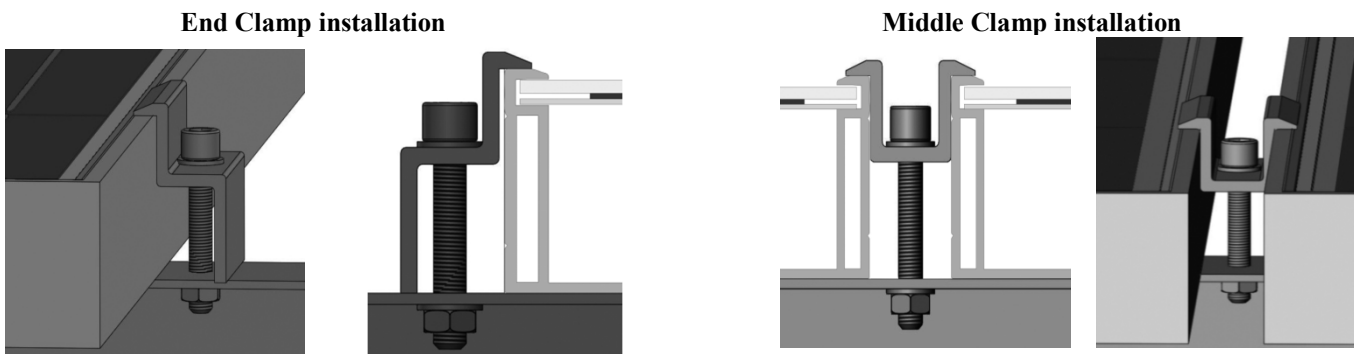
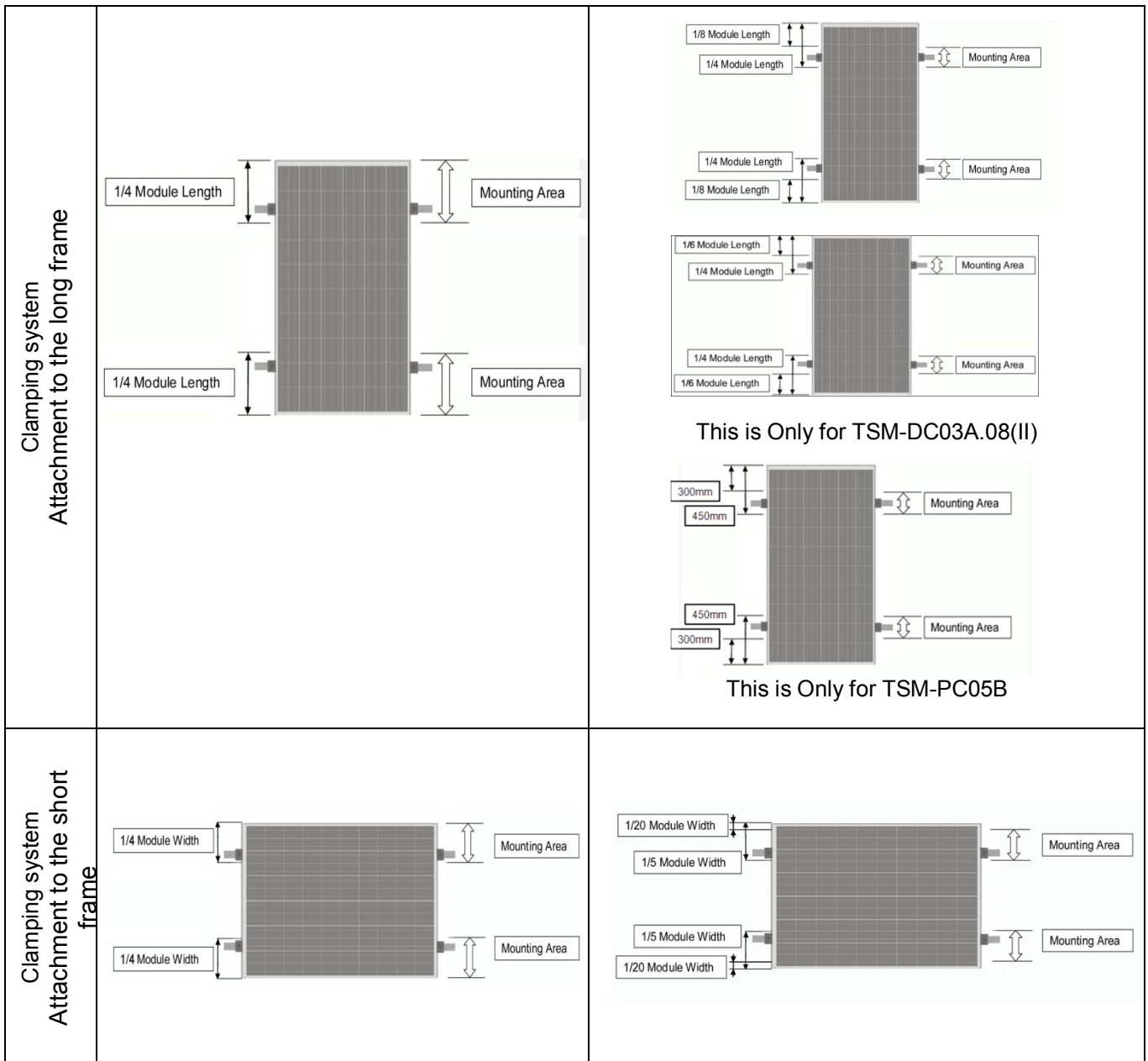


Figure 2. PV module installed with clamp fitting method

	±2400Pa Load	+5400Pa/-2400Pa Load
Mounting system		



Other mounting configurations can be used. However, failure to comply with the above recommendations will result in a lowering of the load handling (snow/wind load) capabilities below the product specification 5400/2400Pa (IEC), 30 lbs.ft² (UL1703) and product failure as a result of an overload situation will not be covered by the Trina Solar warranty.

C. Mounting with Single-axis Tracking System

- This installation is only for 72 cells polycrystalline modules.
- It is a Single-axis Tracking System, the module is fixed on the axis by bolting long frame.
- The frame of each module has 4-φ7*10mm(0.28*0.39in) mounting holes with specific location shown in Figure 3.
- Secure the module in each fixing location with an M6 bolt, two flat washers, a spring washer and nut as shown in Figure 3.
- If a different bolt similar to M6 is used, they need to be tightened to a torque of 16N.m.(140lbf.in).
- All parts in contact with the frame should use flat stainless steel washers of minimum 1.5mm thickness with an outer diameter of 16-20mm (0.63-0.79in.).
- The bolt should be made of stainless steel or the other anti-corrosion material.
- Mechanical Load Pressure under this method: 30 lbs.ft² (snow) max from the front side & 30 lbs.ft² (wind) max from the rear according to UL1703.

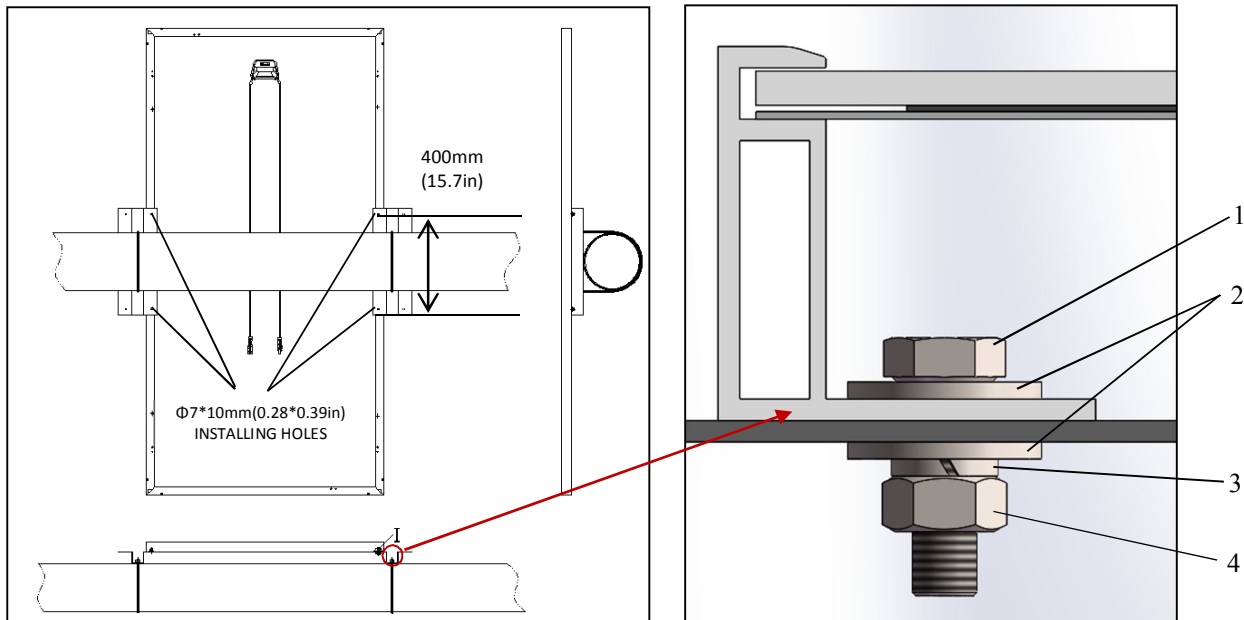
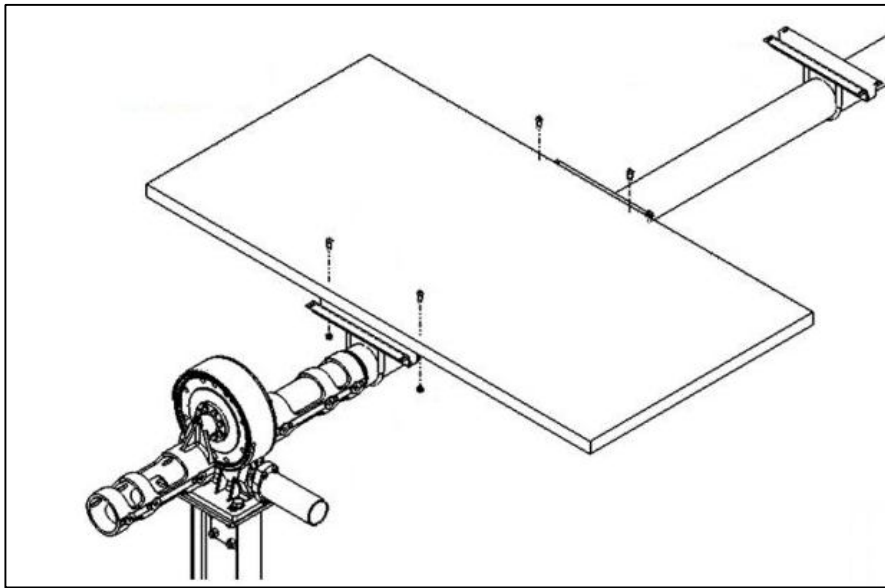


Figure 3. PV module installed with Single-axis Tracing System

- | | |
|----------------------------|--------------------------|
| 1) M6 Stainless Bolt | 2) Flat Stainless Washer |
| 3) Spring Stainless Washer | 4) HEX Stainless Nut |

6.2 GROUNDING

- All module frames and mounting racks must be properly grounded in accordance with appropriate respective National Electrical Code.
- Proper grounding is achieved by bonding the module frame(s) and all metallic structural members together continuously using a suitable grounding conductor. The grounding conductor or strap may be copper, copper alloy, or any other material acceptable for use as an electrical conductor per respective National Electrical Codes. The grounding conductor must then make a connection to earth using a suitable earth ground electrode.
- Trina Solar modules can be installed with the use of third party listed grounding devices for grounding the metallic frames of PV modules. The devices have to be installed in accordance with the grounding device manufacturer's specified instructions.
- Please refer to the "Product Catalogue" link for detailed grounding hole location and size at

www.trinasolar.com.

- We also recommend using the following methods to ground installation properly under UL investigation,

Method 1: Tyco grounding bolt # 2058729-1:

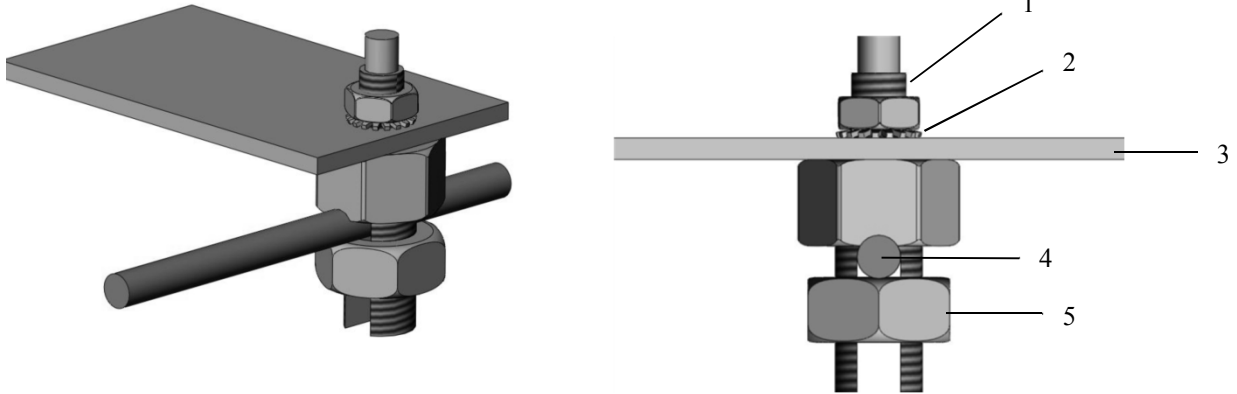


Figure 4. Tyco grounding bolt # 2058729-1

- 1) Wire bolt and slot
- 2) Mounting wash hex nut
- 3) Aluminum frame
- 4) 0.006 to 0.025in² cable
- 5) Hex Nut

- Tyco grounding hardware comes in a package that includes the grounding bolt, mounting and grounding hex nut.
- Electrical contact is made by penetrating the anodized coating of the aluminum frame, and tightening the mounting hex nut (come with the star washer) to the proper torque of 25lbf.in.
- Grounding wire size (6 to 12 AWG solid bare copper) should be selected and installed underneath the wire binding bolt.
- The wire binding bolt should be tightened to the proper torque of 45lbf.in.

Method 2: Tyco grounding bolt #1954381-2:

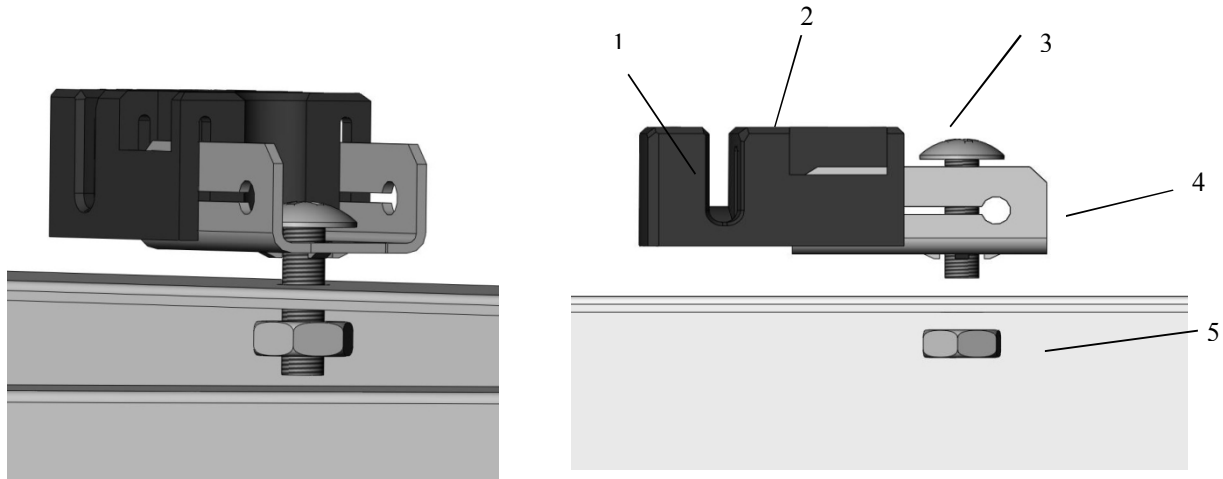


Figure 5. Tyco grounding bolt # 1954381-2
(Not applicable for TRINAMOUNT module series)

- 1) Wire slot (available for 0.006 to 0.025in² cable)
- 2) Slider
- 3) Bolt
- 4) Base
- 5) Nut

- Tyco grounding hardware comes in a package that includes the grounding bolt, mounting and grounding hex nut.
- Electrical contact is made by penetrating the anodized coating of the aluminum frame, and tightening the mounting hex nut (come with the star washer) to the proper torque of 25lbf.in.

- Grounding wire size (6 to 12 AWG solid bare copper) should be selected and installed underneath the wire binding bolt.
- The wire binding bolt should be tightened to the proper torque of 45lbf.in.
- The Tyco grounding bolt is only listed for use with 6 to 12 AWG bare solid copper wire.

Method 3: ERICO grounding bolt # EL6CS14-6

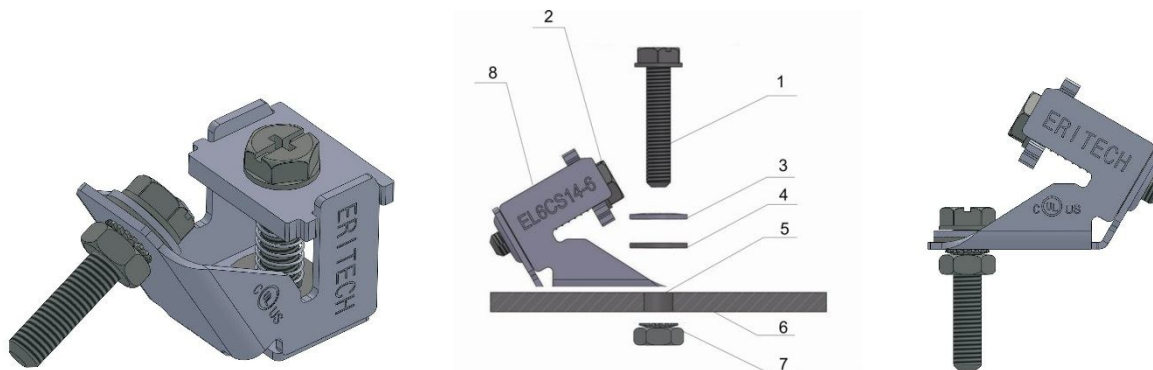


Figure 6. ERICO grounding bolt # EL6CS14-6
(Not applicable for the TRINAMOUNT module series)

- | | |
|--|-------------------|
| 1) Machine Bolt A | 2) Machine Bolt B |
| 3) Belleville washer | 4) Flat Washer |
| 5) Clearance hole for #10[M5] machine bolt | 6) Aluminum frame |
| 7) Machine box hex nut with lock washer | 8) Grounding bolt |

- The lug should be installed on a surface that is larger than the bottom surface of the lug.
- The lug should be installed in the grounding holes provided on the PV module.
- Machine bolt A should be torqued to 35lbf.in, to secure the grounding bolt to module frame.
- The grounding bolt is only listed for use with 6-12 AWG bare solid copper wire.
- For proper wire binding, machine bolt B should be torqued to 35lbf.in.

6.3 MODULE WIRING

- All wiring should be performed, by qualified installers, in accordance with the local codes and regulations.
- Modules can be connected in series to increase the operating voltage by plugging the positive plug of one module into the negative socket of the next. Before connecting modules always ensure that the contacts are corrosion free, clean and dry.
- Product can be irreparably damaged if an array string is connected in reverse polarity to another. Always verify the voltage and polarity of each individual string before making a parallel connection. If you measure a reversed polarity or a difference of more than 10V between strings then check the string configuration before making the connection.
- Trina Solar modules are provided with stranded copper cables with a cross sectional area of 4mm²(0.006in²) which are rated for 1000V DC, 90°C and are UV resistant.(For TSM-PE05A.** , PE14A.** , 1500 V DC, 90°C and are UV resistant) All other cables used to connect the DC system should have a similar (or better) specification. Trina Solar recommend that all cables are run in appropriate conduits and sited away from areas prone to water collection.
- The maximum voltage of the system must be less than the maximum certified voltage 1000V typically (For TSM-PE05A.** , PE14A.** , less than 1500V) and the maximum input voltage of the inverter and of the other electrical devices installed in the system. To ensure that this is the case, the open circuit voltage of the array string needs to be calculated at the lowest expected ambient temperature for the location. This can be done using the following formula.

$$\text{Max System voltage} \geq N * \text{Voc} * [1 + \text{TCvoc} * (\text{Tmin} - 25)]$$

Where

N

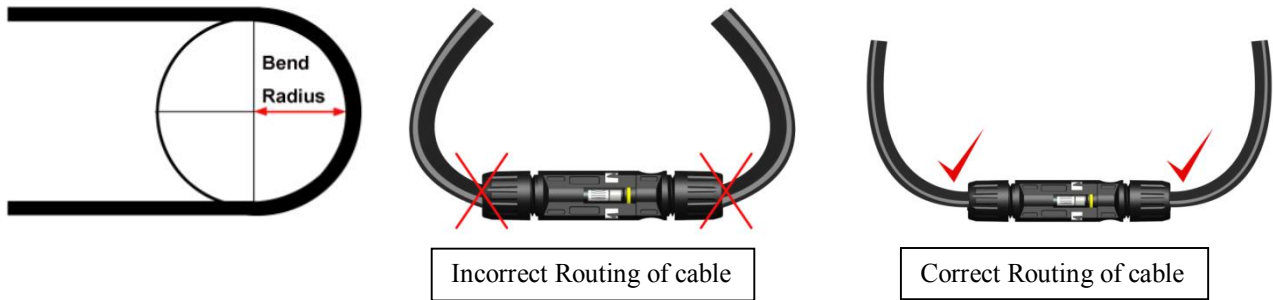
Voc

No modules in series

Open circuit voltage of each module (refer to product label or data sheet)

TCvoc Thermal coefficient of open circuit voltage for the module (refer to data sheet)
 Tmin The lowest ambient temperature

- Each module have two standards 90°C sunlight resistant output cables each terminated with plug & play connectors. The wire type and gauge of the output cables are 1000V (For TSM-PE05A.** , PE14A.** which are 1500V DC) rated PV Wire cable and are 12AWG in size. This cable is suitable for applications where wiring is exposed to the direct sunlight. We require that all wiring and electrical connections comply with the appropriate National Electrical Code.
- The minimum and maximum outer diameters of the cable are 5 to 7mm(0.038 to 0.076in²).
- For field connections, use at least 4mm² copper wires insulated for a minimum of 90°C and sunlight resistance with insulation designated as PV Wire.
- The minimum bending radius cables should be 43mm(1.69in).



7. ELECTRICAL CONFIGURATION

Photovoltaic (electric) systems operate automatically and require very little day-to-day supervision. The solar array generates DC electricity whenever light falls on it similarly the inverter automatically turns ON as soon as there is sufficient energy from the solar array to efficiently convert this into grid.

*Caution:

- The module is rated to operate at potentially lethal DC voltages which have the potential can cause severe electrical shock, arcing and fire hazards. Whilst some solar modules, manufactured by Trina Solar, are certified to operate up to 1000V DC (For TSM-PE05A.** , PE14A.** , to 1500V DC) always check the module label to confirm the actual rating of your product before making connections.
- It is recommended to use a suitably rated isolator (DC switch) to interrupt the current flow before disconnecting the connectors.

7.1 FUSING

- When fuses are fitted they should be rated for the maximum DC voltage and connected in each, non-grounded pole of the array (i.e. if the system is not grounded then fuses should be connected in both the positive and negative poles).
- The maximum rating of a fuse connected in series with an array string is typically 15A but the actual module specific rating can be found on the product label and in the product datasheet.
- This fuse rating value also corresponds to the maximum reverse current that a module can withstand (when one string is shaded then the other parallel strings of modules will be loaded by the shaded string and current will flow) and therefore impacts the number of strings in parallel.

7.2 INVERTER SELECTION AND COMPATIBILITY

- When installed in systems governed by IEC regulations, Trina Solar modules normally do not need to be electronically connected to earth and therefore can be operated together with either galvanically isolated (with transformer) and transformerless inverters.
- Potential Induced Degradation (PID) is sometimes observed in PV modules due to a combination of high humidity, high temperature and high voltage. PID is most likely to cause degradation under the following conditions:
 - a) Installations in the warm and humid climates
 - b) Installation close to a source of continual moisture, such as bodies of water
- To reduce the risk of PID, we strongly suggest that modules feature Trina Solar's Anti-PID technology, which can be applied to any Trina product. Alternatively, we recommend the use of an inverter that

includes a transformer as well as proper grounding of the negative DC leg of the PV array.

- Choose inverters with isolation transformers in hot and wet areas (such as shores, wetlands), to ensure proper module function under positive voltage.

8. MAINTENANCE AND CARE

- A well designed solar system requires minimal maintenance; however, system performance and reliability can be improved by taking some simple steps.
- Maintenance should be carried out at least once a year by trained personnel, always wearing rubber gloves and boots with maximum working voltage not lower than 1000V DC (For TSM-PE05A.** , PE14A.** , not lower than 1500V DC).
- Trim any vegetation which may shade the solar array thus impacting performance.
- Check that mounting hardware is properly tightened.
- Inspect all cables to verify that connections are tight; the cables are protected from direct sunlight and sited away from areas of water collection.
- Check that all string fuses in each non/earthed pole are operating.
- It is recommended to check the torque of terminal bolts and the general condition of wiring at least once a year. Also, check that mounting hardware is properly torqued. Loose connections will result in damage to the array.
- Replacement modules must be of same type. Do not touch live parts of cables and connectors. Use appropriate safety equipment (insulated tools, insulating gloves, etc.) when handling modules.
- The amount of electricity generated by a solar module is proportional to the amount of light falling on it. A module with shaded cells will produce less energy and therefore it is important to keep modules clean.
- Normally rain water is sufficient to keep the modules clean however it is particularly important to ensure that the solar modules are clean before onset of summer. Products installed at a tilt angle below 10° or which are located in particularly dusty areas, are installed in landscape orientation or in areas of high pollution or close to large bird populations will require more regular cleaning.
- When cleaning the module use a soft cloth together with a mild detergent and clean water. Take care to avoid severe thermal shocks which might damage the module by cleaning modules with water which has a similar temperature to the modules being cleaned.
- When cleaning the back surface of the module, take care to avoid penetrating the substrate material. Modules that are mounted flat (0° tilt angle) should be cleaned more often, as they will not “self-clean” as effectively as modules mounted at a 10° tilt or greater.
- The benefit of cleaning dirt and debris from the array is a trade-off between the cost of the cleaning, increased energy production as a result of this cleaning, and the inevitable re-soiling of the laminates over time once they have been cleaned.
- In the event that the solar modules need to be cleaned then clean the module use a soft cloth together with a mild detergent and clean water. Take care to avoid severe thermal shocks which might damage the module by cleaning modules with water which has a similar temperature to the modules being cleaned.
- On large systems, the benefit of cleaning dirt and debris from the array is a trade-off between the cost of the cleaning, increased energy production as a result of this cleaning, and the time for the re-soiling of the modules after cleaning.
- If you are unsure whether the array or section thereof needs to be cleaned then first select an array string that is particularly soiled then
 - Measure & record the inverter feed in current from that string
 - Clean all modules in the string
 - Measure the inverter feed in current again and calculate the % improvement from cleaning
 - If the improvement is less than 5% then it is normally not worth spending the expense on cleaning
- The above verification should only be carried out when the insolation is effectively constant (clear sky, strong sunshine, no clouds)
- The back surface of the module normally does not need to be cleaned but, in the event this is deemed necessary, avoid the use of any sharp projects that might damage the penetrating the substrate material.
- Cover the front surface of modules by an opaque material when repairing. Modules when exposed to sunlight generate high voltage and are dangerous.
- Trina Solar PV modules are equipped with bypass diodes in the junction box. This minimizes module heating and current losses.
 - Do not try to open the junction box to change the diodes even if they malfunction.
 - In a system using a battery, blocking diodes are typically placed between the battery and the PV

module output to prevent battery discharge at night.

- **Product Replacement:**

In the event that a module is damaged (broken glass or scratch on back sheet) and needs to be replaced then

- Observe the safety precautions listed earlier in the manual
- Wear cut resistant gloves and other personal protective equipment required for the particular installation.
- Isolate the impacted array string to prevent current flow before attempting to remove the module.
- Disconnect the connectors of the affected module using the related disconnect tool provided by suppliers.
- Replace the damaged module with a new module of the same type.
- Check the open circuit voltage of the array string and verify that this is within 10V of the other strings to be connected in parallel.
- Turn the isolator back on.

- **Troubleshooting:**

- If your installation does not work properly, please inform your installer immediately.

- **Reporting Technical Issues or Claims:**

- Contact your installer
- Contact Trina Solar after sales service team at <http://customerservice.trinasolar.com/>
- Submit the Customer Feedback form at: <http://www.trinasolar.com/> and one of our technical service representatives will contact you within 5 business days. A username and password is required to send feedback from the customer service link
- For module specifications or datasheets, please download from: <http://www.trinasolar.com/>

9. WARNING

WARNING: For any electrical maintenance, the PV system must first be shut down. Improper maintenance can cause lethal electric shock and/or burns.

10. HISTORY

Edition	Revision Date	Revised Item	Revised Content
New Edition	2016.05.05		
2 nd Edition	2017.02.20	1. Add unit of UL mechanical measuring 2. Add connector	1. Pa →psf 2. Clarify detail connector.
3rd Edition	2017.05.27	Module size standardization	1. Figure 1, add Installing hole note 2. Figure 3, use distance of installing holes instead of module size
4th Edition	2017.07.14	Add connector	Add four types of connector